

**NEW
PRODUCT**

Oil Boss®



Keep Your Sumps Clean

Abanaki's Oil Boss is an innovative tool for keeping coolant free of oil. The patent-pending design allows for easy visual inspection of your coolant's condition; and will also help extend tool and coolant life. It will decrease loss of production and maintenance time. And it will allow for easy cleaning of various sumps or tanks around any plant or shop due to its portability and magnetic base. The Oil Boss has a small footprint that reduces the amount of clutter and equipment on the shop floor.

How It Works

Oil laden fluid is pumped up from the sump through the inlet valve of the Oil Boss. From there it passes through a patent pending media system, slowing the flow, catching debris and allowing the oil to be collected. The clean fluid passes through a second chamber and back to the sump below, leaving your tank with cleaner fluid in no time at all! The collected oil can be easily discharged for clean and easy removal. *The Oil Boss will literally cling to any magnet permeable wall in your shop!* Attach the magnetic base to any steel surface, and then clip the Oil Boss to the base. This allows for portability and helps save space. The Oil Boss is also reversible allowing fluid input and output from either the left or right side. This patent pending design allows the Oil Boss to work with the layout of your machine, minimizing hose clutter and saving even more space! The sleek design allows for simple, efficient, and clean oil removal.



Clean
Our
World!

Skimmerman™



Magnetic back secures the
Oil Boss to any steel surface.

Key Features

- Magnetic base allows for installation anywhere in the shop
- Complete reversibility
- Design prevents hoses, tubes, and cords from getting tangled
- Lightweight and portable
- Oil is easily collected and discharged making removal clean and easy
- Requires no floor space
- Easy to empty and clean when needed
- Minimal maintenance

ABANAKI® OIL SKIMMERS

USA: 17387 Munn Road • Chagrin Falls, Ohio 44023
800-358-SKIM (7546) • (440) 543-7400 • FAX: (440) 543-7404

UK: Avon Business Centre • Woodland Way • Bristol BS15 1AW
0117 9616679 • FAX: 0117 9616687

www.abanaki.com

Oil Boss®

Where to Use the Oil Boss

The Oil Boss is designed for applications with multiple tanks/sumps that can take advantage of a single unit. It can also be used in permanent installations with limited access areas, such as small parts washers or machining center coolant tanks.

Specifications

Dimensions: Length 19.5" x Height 16" x Width 6"

Power: 115v 60Hz; 230v 50Hz

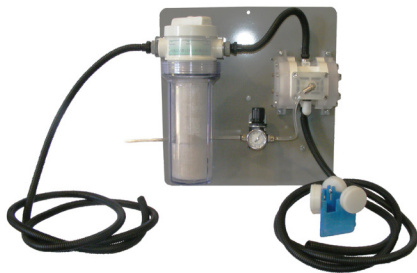
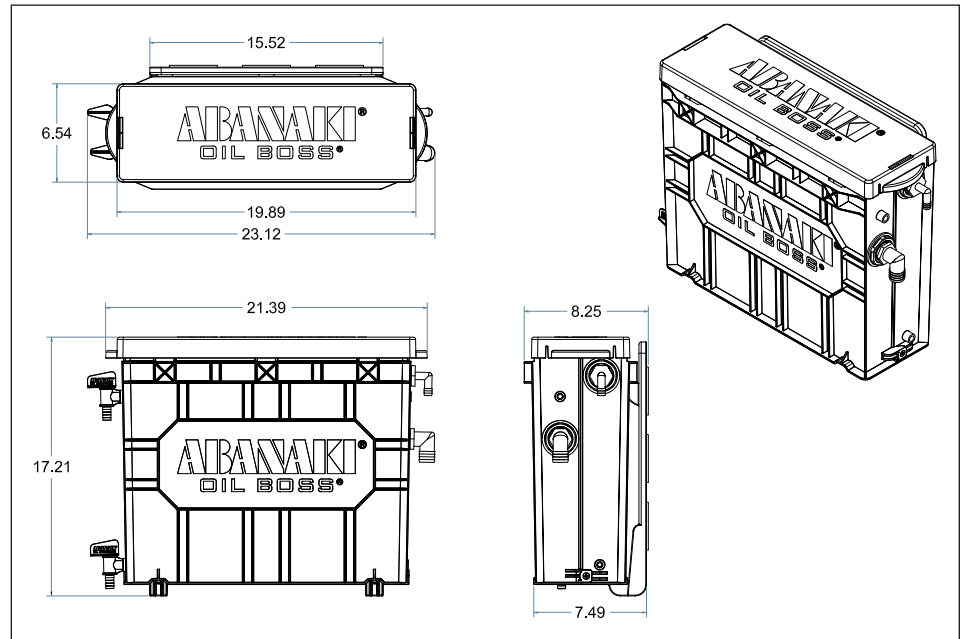
Pump: Max Flow 300 gph (1,136 lph)

Options

Pneumatic Model

Electric Model

Dimensions

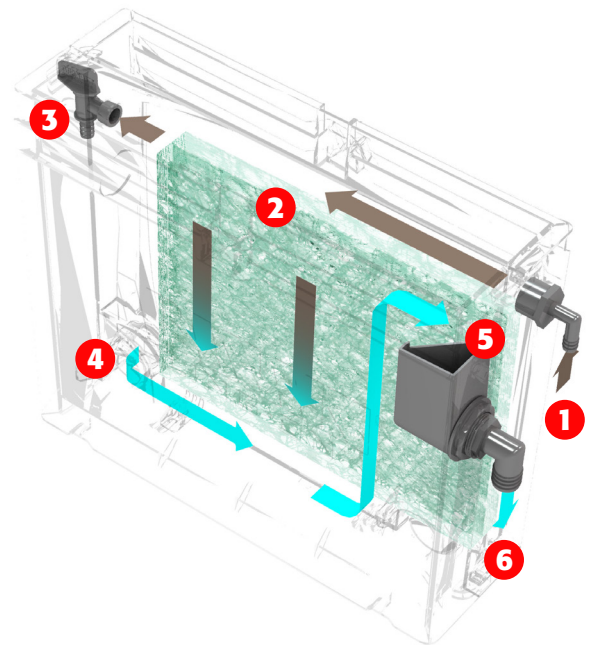


Pneumatic Model



Pneumatic Stand

- 1 Oil/coolant mixture pumped from sump into tank through 1/2" barbed fitting.
- 2 Mixture flows through media filter; oil floats to top; coolant stays towards bottom.
- 3 Oil layer on top is removed from tank by shutoff valve.
- 4 Coolant towards bottom flows from dirty side to clean side of tank through bottom connection.
- 5 Coolant builds up on the clean side of tank and flows over diverter edge to go back to sump as clean coolant.
- 6 Clean coolant goes back to sump through 1" barbed fitting.



ABANAKI® OIL SKIMMERS

USA: 17387 Munn Road • Chagrin Falls, Ohio 44023
800-358-SKIM (7546) • (440) 543-7400 • FAX: (440) 543-7404

UK: Avon Business Centre • Woodland Way • Bristol BS15 1AW
0117 9616679 • FAX: 0117 9616687

www.abanaki.com

©Copyright 2016 Abanaki Corporation